

Installation Guide

LH7500

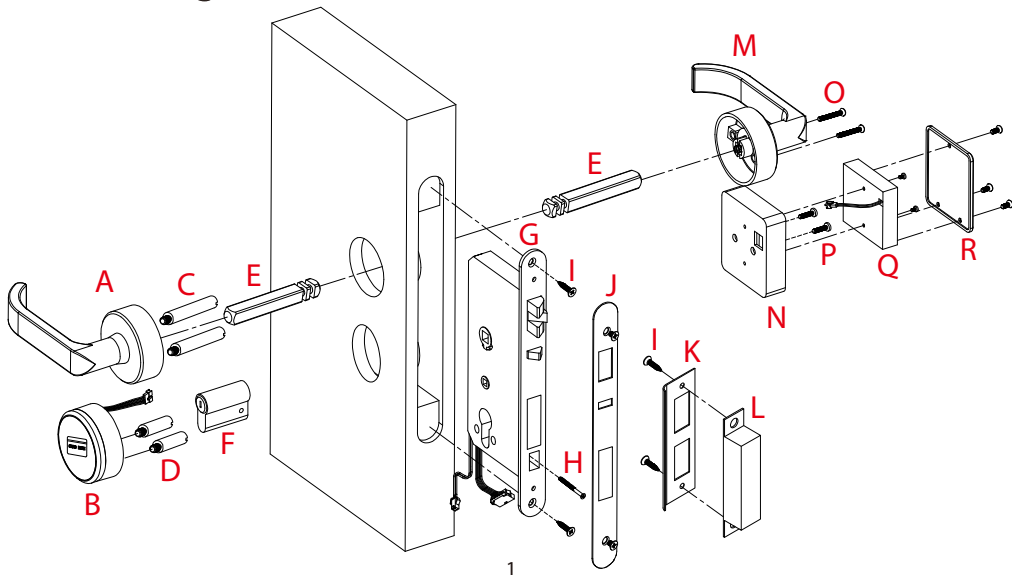
Version: 1.0

Date: Jan. 2019

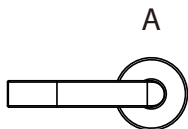


Before Installation

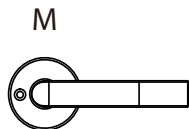
Lock Diagram



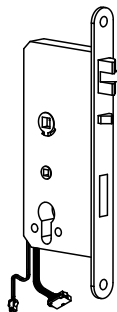
In the Box



B



N



G



K



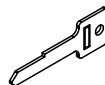
F



L



T



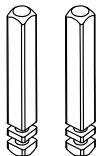
S



C



D



E



H



I



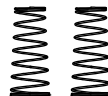
KM5*40

O



PM4*20

P



U

Before you begin

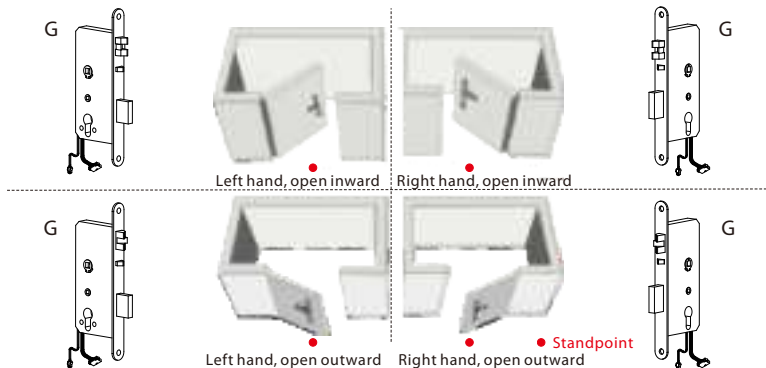
1. Preparing door

Door Thickness	O Screws	P Screws
38 - 48 mm	40 mm	20 mm

Note: If the door is thicker than 38-48 mm, this lock will not be available.

2. Determining Handing

The hand of a door is determined from the secure side of the door. The term "secure" means the side from which you unlock and enter.



Note: Please install the mortise (G) according to the above pictures.

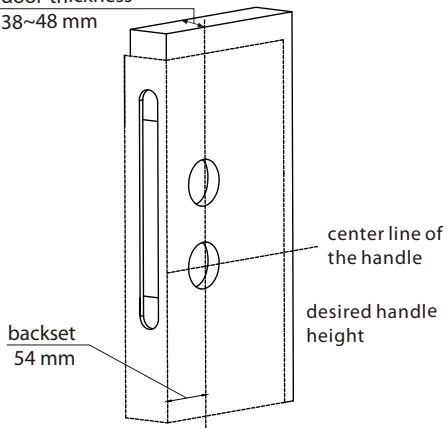
Cautions

1. New lock is defined as always open mode until it was unlocked once by mifare card.
2. Please swipe authorised card, time sync card, room card at first for the new lock.
3. The lock is equipped with mechanical keys for manual unlocking. Remove the mechanical keys from the package and keep them in a safe place.
4. To power on the lock, four alkaline AA batteries (not included) are required.
Non-alkaline and rechargeable batteries ARE NOT RECOMMENDED.
5. Do not remove batteries when the lock is in working state.
6. When battery power is low, the lock will beep to remind user to renew the batteries.
Please do not mix up positive and negative while replacing battery.
7. Avoid contacting with corrosive substances, and do not hang objects on the handle.
8. The software within the lock manages the RFID cards, for more details refer to the software user manual.
9. If there are any questions, please do not hesitate to contact the seller.

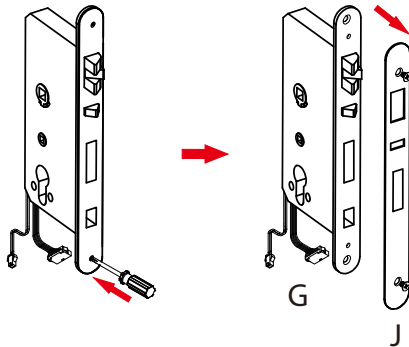
Installation

1. Drill holes on the door

door thickness
38~48 mm



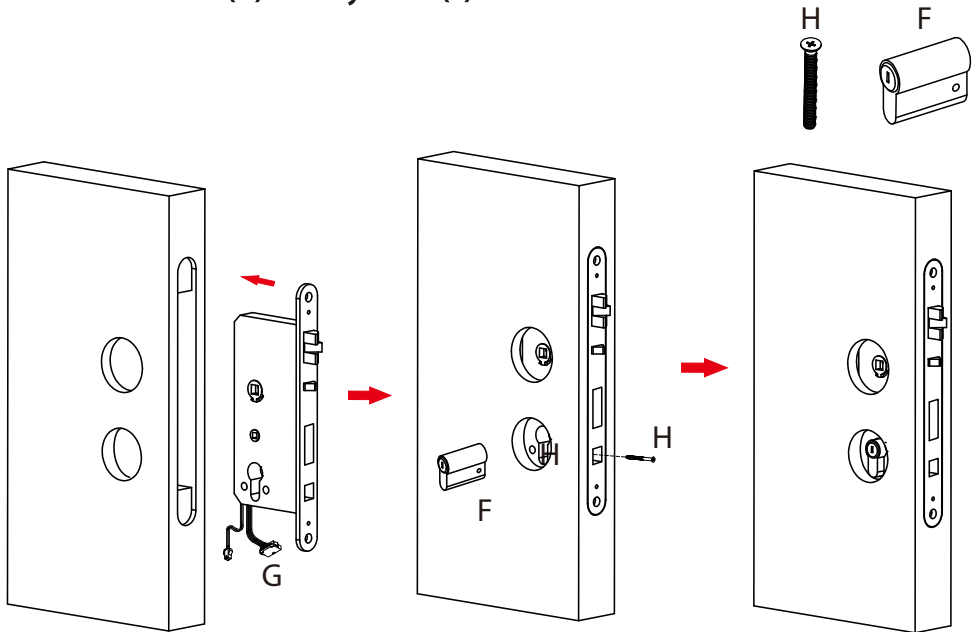
2. Remove the mortise latch plate



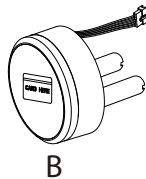
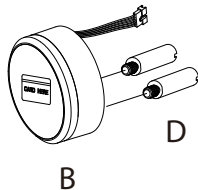
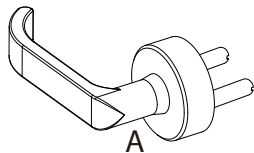
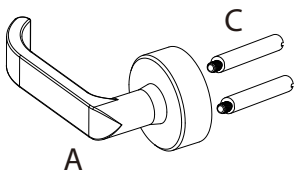
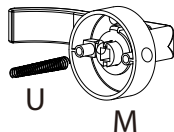
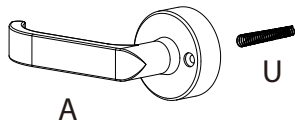
Note 1: Align the template along the vertical center line of the mortise (G) at the desired handle height, and tape it to door.

Note 2: Mark the holes first, then start drilling.

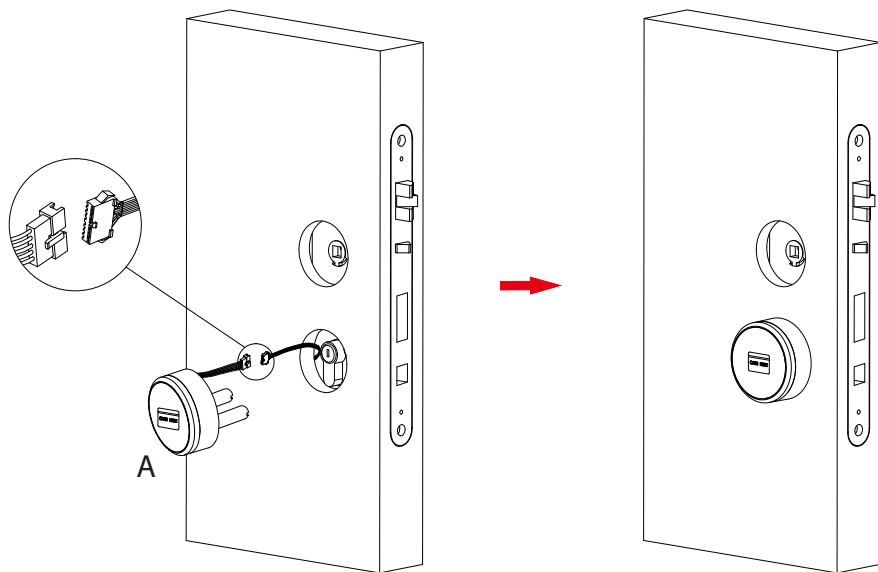
3. Install mortise(G) and cylinder(F)



4. Install the coil spring and screw the stud

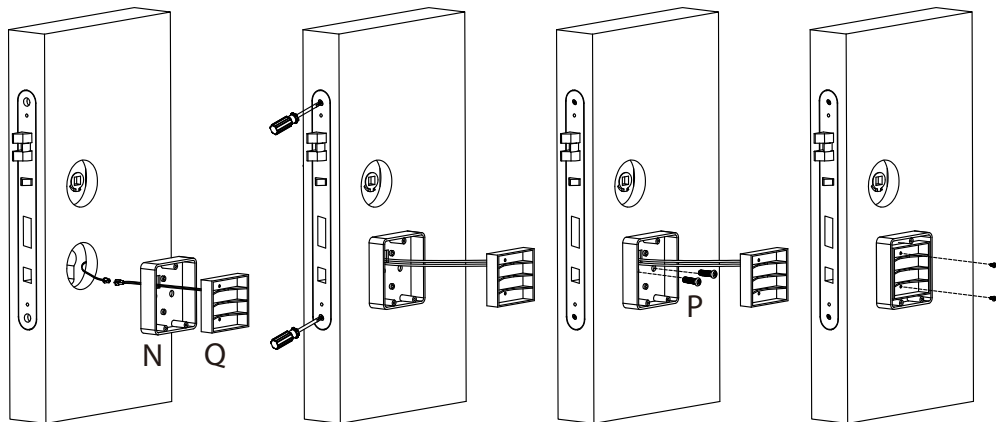


5. Install exterior panel (A)

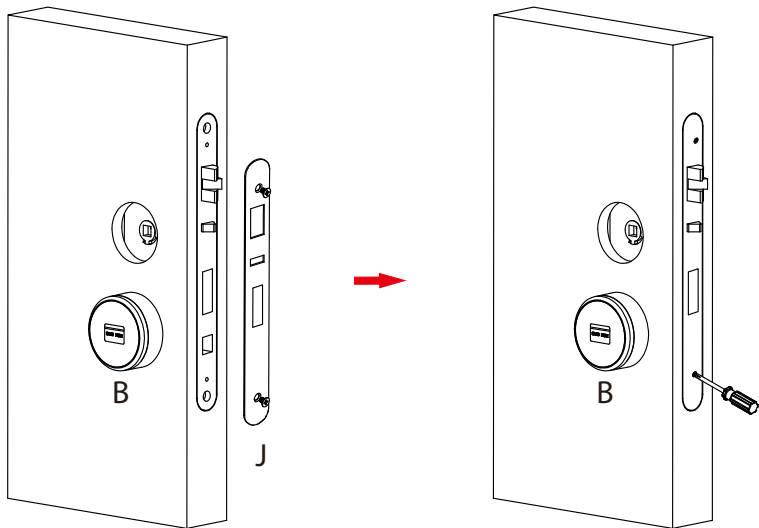


6. Install interior panel (N)

P

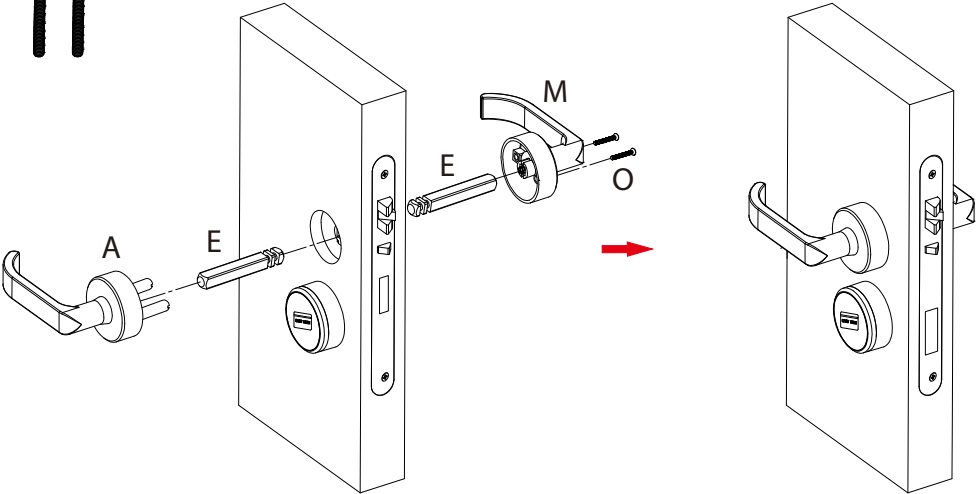


7. Fix with the mortise(G)

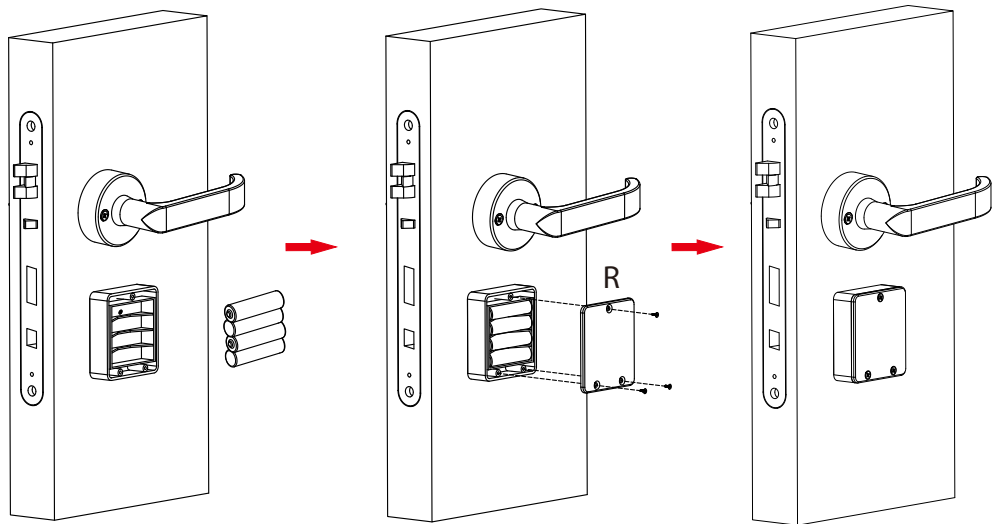


8. Mount handles

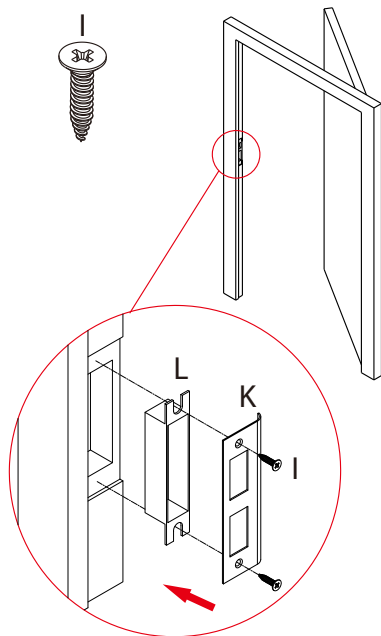
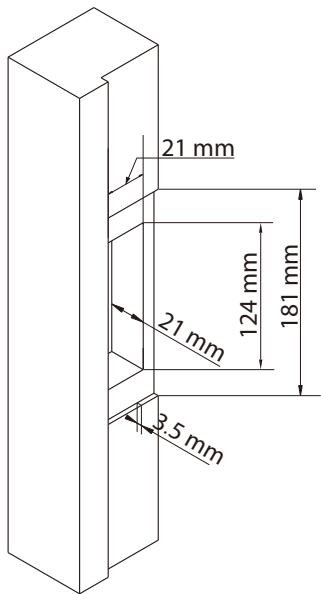
O



9. Install the battery



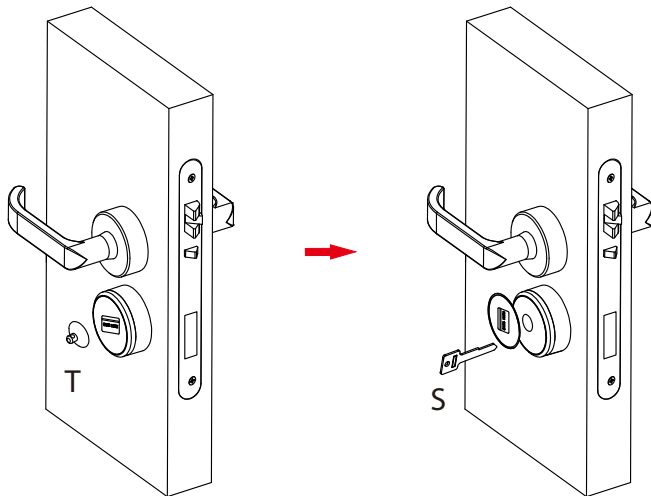
10. Mark and drill holes for strike



11. Test Lock by mechanical key (S)

Step1: Remove the cover on the key hole with a sucker(T).

Step2: Insert mechanical key (S) into the key hole and rotate it at 90°.



www.zkteco.eu

